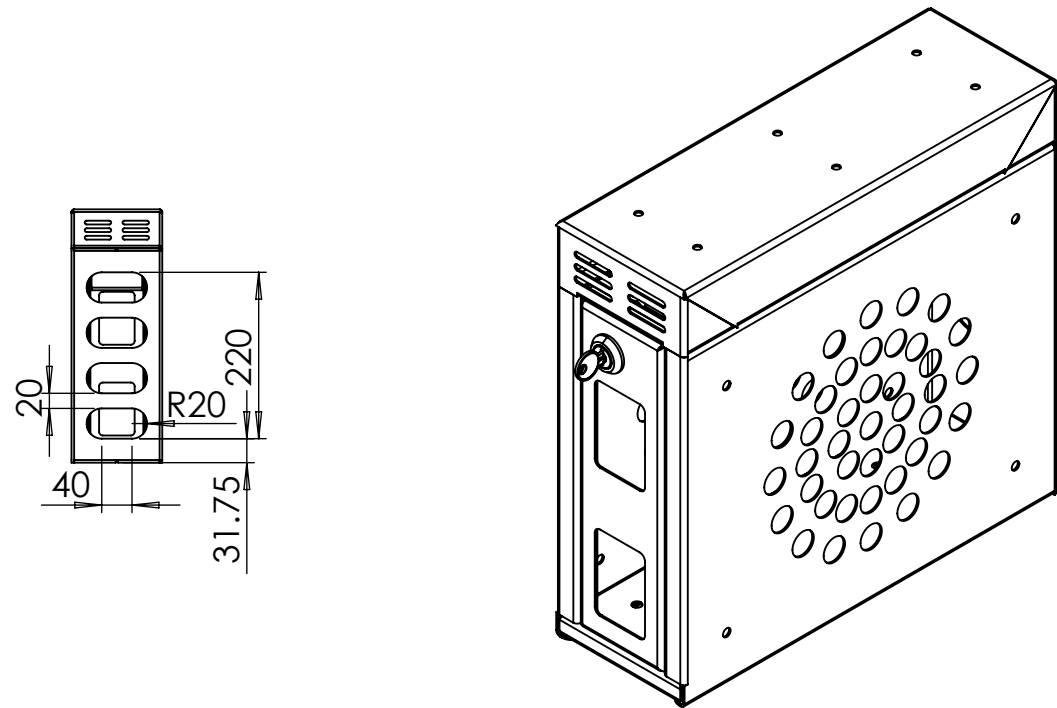
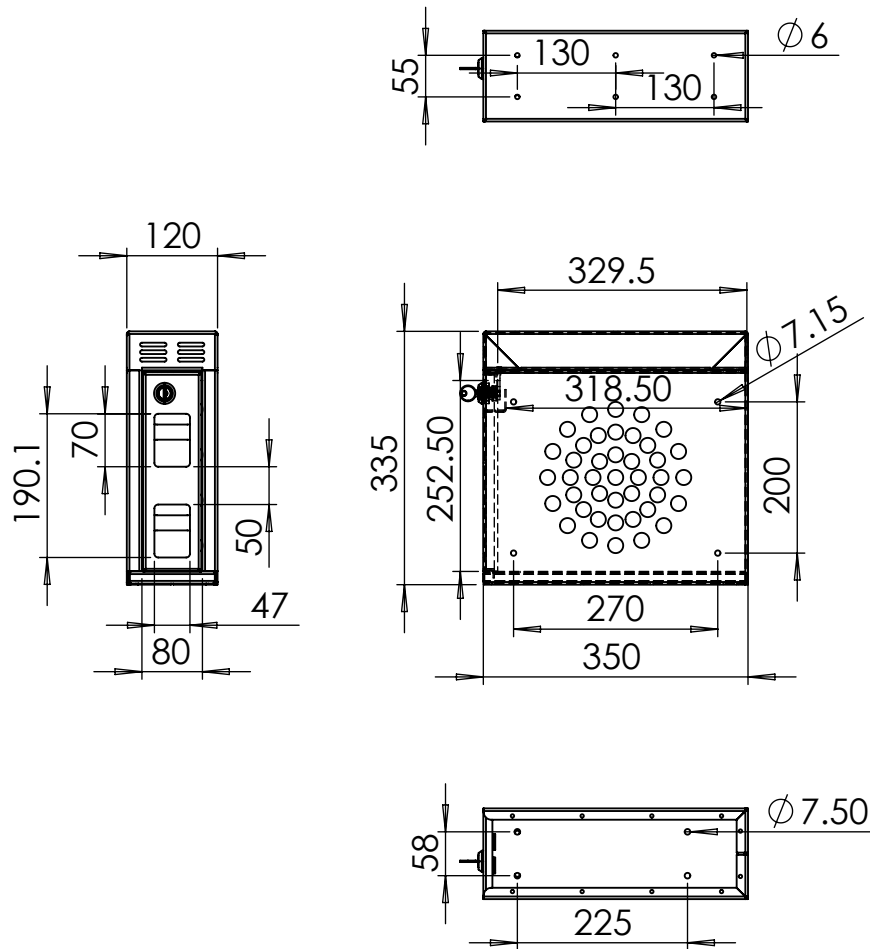


Usable Internal Space: 75mm Wide x 250mm High x 317mm Deep.



A&R Engineering
 Valleybridge Road,
 Clacton-on-sea,
 Essex, CO15 4AD
 Tel: 01255 434261

REVISIONS				
ZONE	REV.	DESCRIPTION	DATE	APPROVED
NAME		DATE		
JB		07/08/2018		
Sheet Thickness: 1.5mm				

UNLESS OTHERWISE SPECIFIED:
 DIMENSIONS ARE IN MILLIMETERS
 NO DECIMAL PLACES: ± 1.0MM
 ONE DECIMAL PLACES: ± 0.25MM
 TWO DECIMAL PLACES: ± 0.1MM
 ANGULAR: ± 0.5°

FINISH: Black Textured Powder Coat			
MATERIAL: Mild Steel CR4			
TITLE: PCS-US with Part Door			
DWG NO.		PCS-US.PD	
		A4	
WEIGHT:	SCALE:1:10	DO NOT SCALE DRAWING	SHEET 2 OF 2