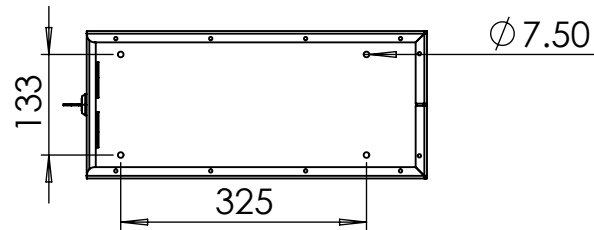
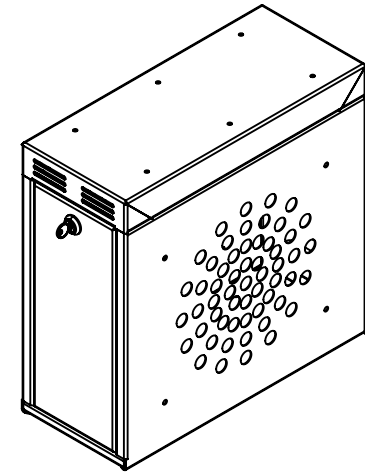
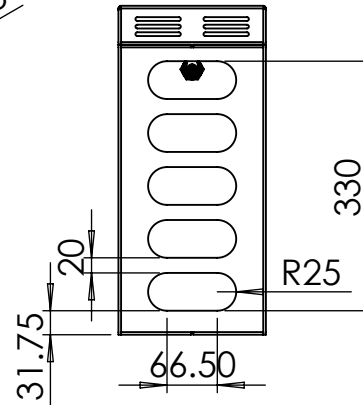
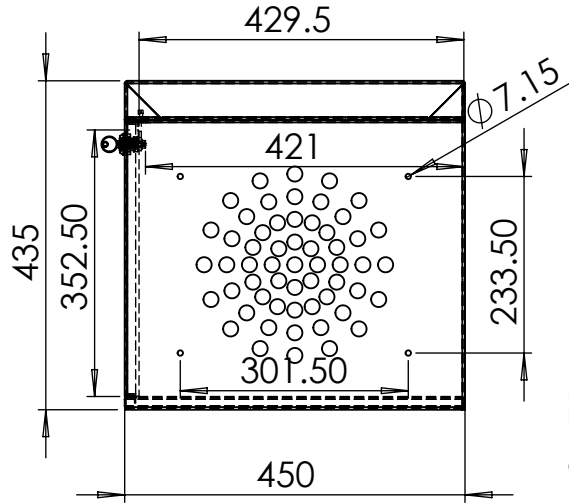
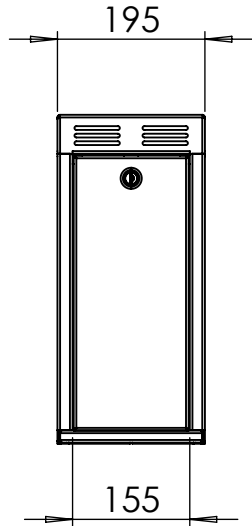
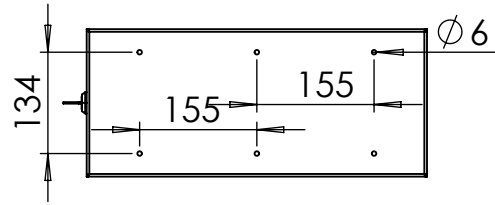


Usable Internal Space: 150mm Wide x 350mm High x 420mm Deep.



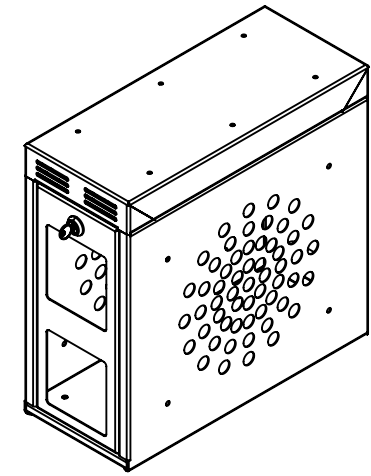
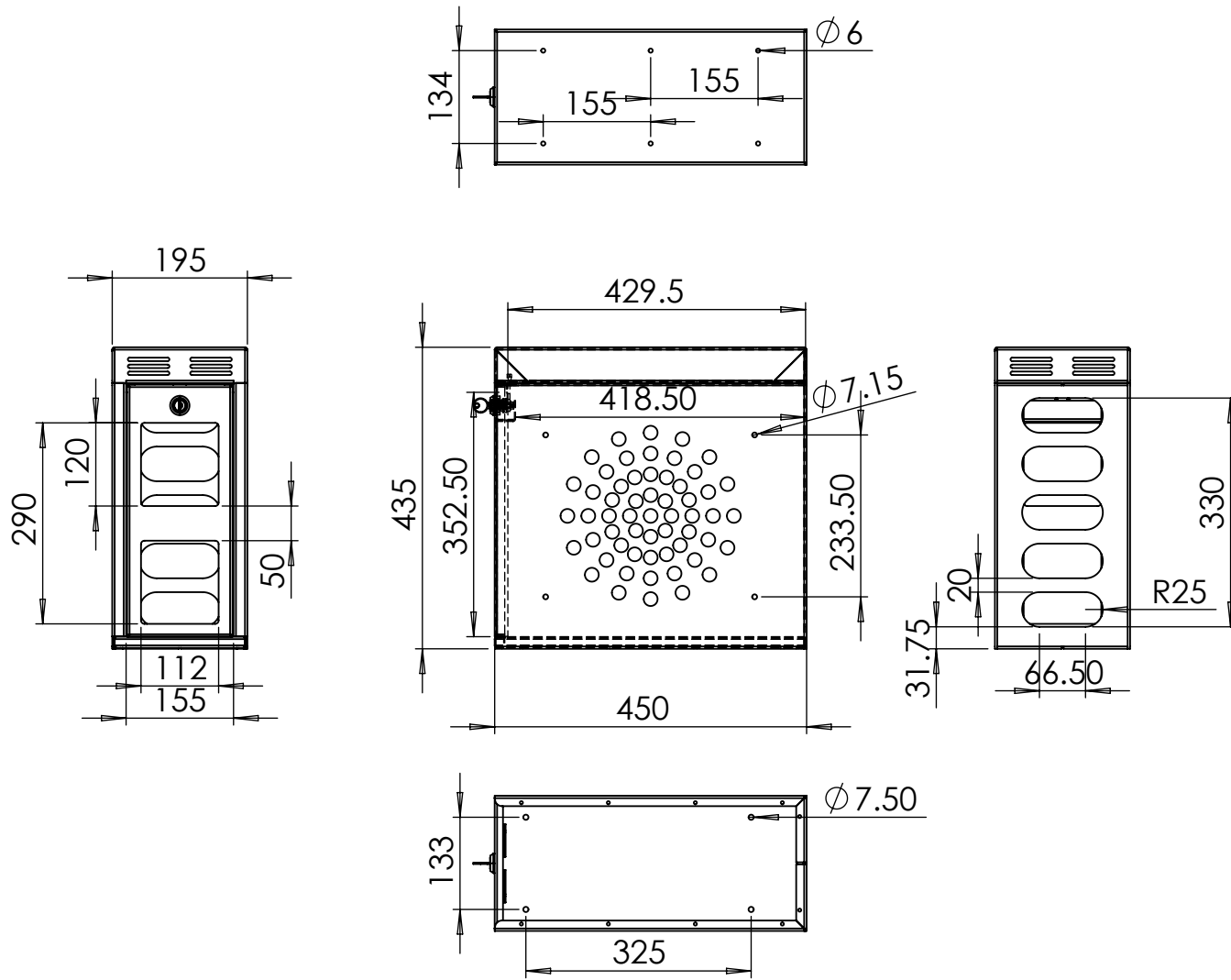
A&R Engineering
 Valleybridge Road,
 Clacton-on-sea,
 Essex, CO15 4AD
 Tel: 01255 434261

REVISIONS				
ZONE	REV.	DESCRIPTION	DATE	APPROVED

NAME	DATE	UNLESS OTHERWISE SPECIFIED: DIMENSIONS ARE IN MILLIMETERS NO DECIMAL PLACES: ± 1.0MM ONE DECIMAL PLACE: ± 0.25MM TWO DECIMAL PLACES: ± 0.1MM ANGULAR: ± 0.5°
JB	07/08/2018	
Sheet Thickness: 1.5mm		

FINISH:	Black Textured Powder Coat		
MATERIAL:	Mild Steel CR4		
TITLE:	PCS-S with Solid Door		
DWG NO.	PCS-S.SD		A4
WEIGHT:	SCALE:1:10	DO NOT SCALE DRAWING	SHEET 1 OF 3

Usable Internal Space: 150mm Wide x 350mm High x 417mm Deep.



A&R Engineering
 Valleybridge Road,
 Clacton-on-sea,
 Essex, CO15 4AD
 Tel: 01255 434261

REVISIONS				
ZONE	REV.	DESCRIPTION	DATE	APPROVED
NAME		DATE		
JB		07/08/2018		
Sheet Thickness: 1.5mm				

UNLESS OTHERWISE SPECIFIED:
 DIMENSIONS ARE IN MILLIMETERS
 NO DECIMAL PLACES: ± 1.0MM
 ONE DECIMAL PLACE: ± 0.25MM
 TWO DECIMAL PLACES: ± 0.1MM
 ANGULAR: ± 0.5°

FINISH: Black Textured Powder Coat		
MATERIAL: Mild Steel CR4		
TITLE: PCS-S with Part Door		
DWG NO.	PCS-S.PD	A4
WEIGHT:	SCALE:1:10	DO NOT SCALE DRAWING
		SHEET 2 OF 3