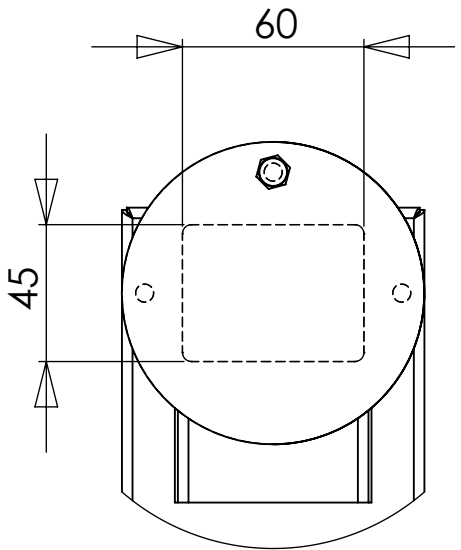


SECTION C-C



DETAIL B  
SCALE 2 : 5



A&R Engineering  
Valleybridge Road,  
Clacton-on-sea,  
Essex, CO15 4AD  
Tel: 01255 434261

REVISIONS				
ZONE	REV.	DESCRIPTION	DATE	APPROVED
	B		25/10/2013	
	C		14/06/2017	
	D		14/06/2017	

NAME	DATE

Sheet Thickness: \_\_\_\_\_

UNLESS OTHERWISE SPECIFIED:  
DIMENSIONS ARE IN MILLIMETERS  
NO DECIMAL PLACES: ± 1.0MM  
ONE DECIMAL PLACES: ± 0.25MM  
TWO DECIMAL PLACES: ± 0.1MM  
ANGULAR: ± 0.5°

FINISH:		
MATERIAL:		
TITLE:		
DWG NO.	KDO-SLIM	A4
WEIGHT:	SCALE:1:10	DO NOT SCALE DRAWING
		SHEET 1 OF 1